

# ***OM01***

## ***Optical Mouse Sensor***

### ***Data Sheet***

#### ***Index***

1. General description	Page 1
2. Features	Page 1
3. Pin configurations (package) and descriptions	Page 1
4. Absolute maximum rating	Page 3
5. Electrical characteristics	Page 3
6. Application circuit	Page 5

## 1. General description

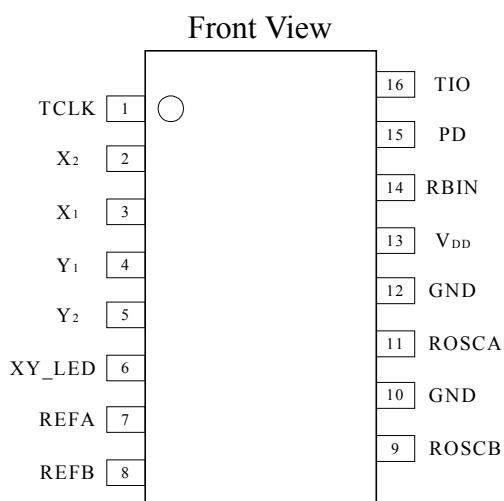
This optical CMOS sensor provides a non-mechanical tracking engine for implementing a computer mouse. On the CMOS IC chip, images are captured, digitized, and then digitally processed. Using an optical navigation technology, the sensor measures changes in position by optically acquiring sequential surface images (frames) and mathematically determining the direction and magnitude of movement. The sensor is mounted in a plastic optical package and is designed to be used with a high intensity LED. Hence, it provides a complete and compact tracking engine. This optical tracking engine has no moving parts and requires no precise optical alignment. Thus, it enables high volume system assembly. It offers a quadrature output mode for interface flexibility. The tracking resolution is specified at 400 counts per inch (cpi) at rates of motion up to 12 inches per second (ips).

## 2. Features

- Superior precision and motion tracking by new optical navigation technology
- Non-mechanical surface-tracking engine
- Complete 2D motion sensor
- Smooth surface navigation
- Single 5.0 volt power supply
- Power down pin (PD) for USB suspend mode operation
- On chip oscillator requiring only an external resistor (No resonator required)
- 16-pin staggered dual inline package (ASDIP-16 / I-DIP-16)
- Hibernation/suspend mode

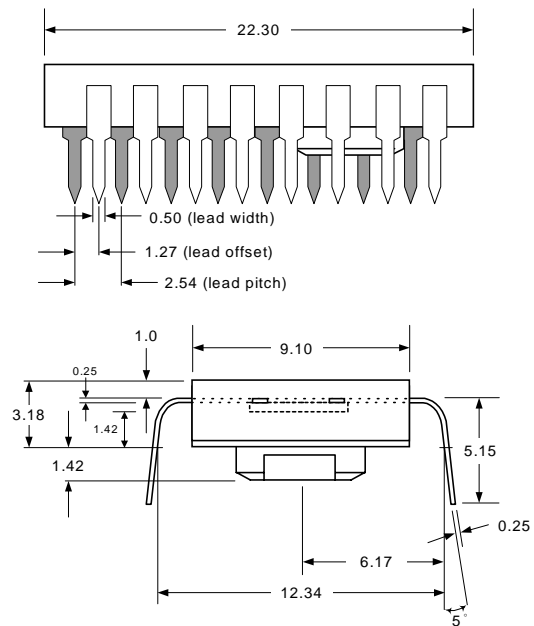
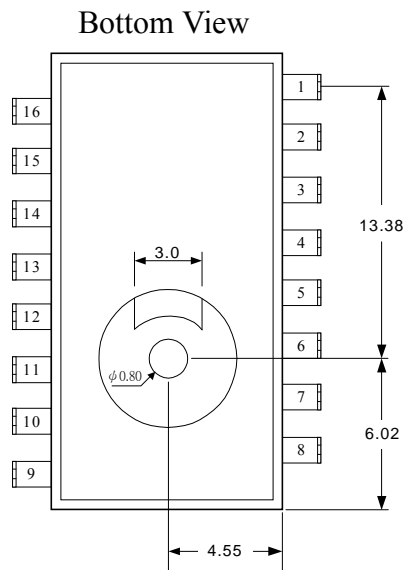
## 3. Pin configurations (package) and descriptions

(We define as ASDIP-16 and Agilent® define as I-DIP-16 which are 16-pin inter-digitated DIP)



Symbol	I/O	Description
X <sub>1</sub> , X <sub>2</sub> , Y <sub>1</sub> , Y <sub>2</sub>	O	△X and △Y axis quadrature outputs
XY_LED	O	LED control
RBIN	-	LED output control
ROSCA, ROSCB	-	On chip oscillator frequency control
V <sub>DD</sub>	-	5.0 volt DC power supply
GND	-	System ground
REFA, REFB	-	Internal reference
PD	I	Power down pin, active high
TCLK	I	Serial port clock for testing mode
TIO	I/O	Serial data for testing mode

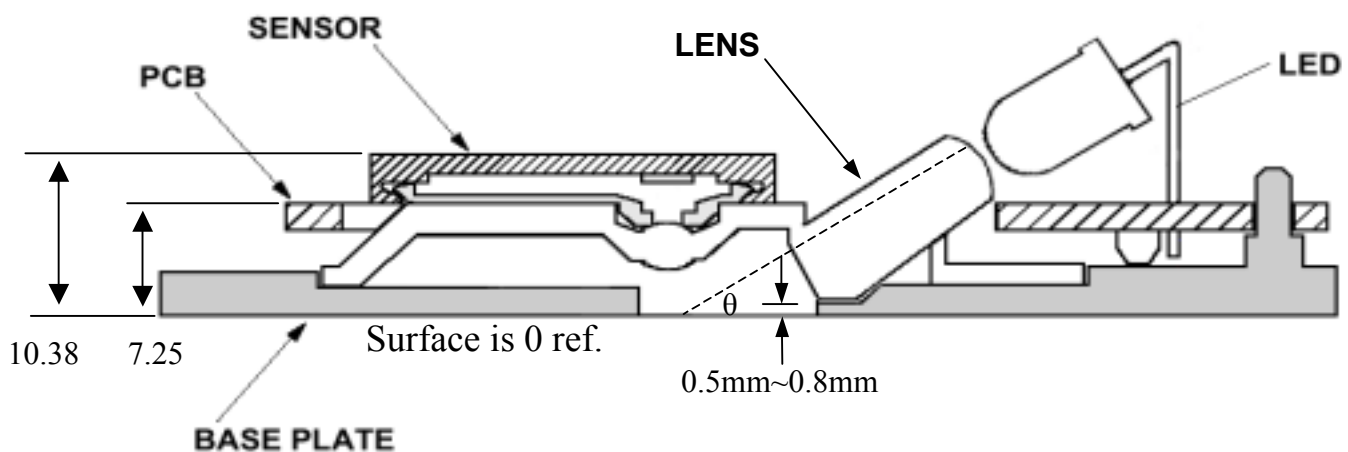
# OM01 Optical Sensor



Note:

- Dimension in millimeter.
- Dimension tolerance is  $\pm 0.1$  mm.
- Coplanarity of leads is 0.1 mm.
- Lead pitch tolerance is  $\pm 0.15$  mm.
- Cumulative pitch tolerance is  $\pm 0.15$  mm.
- Angular tolerance is  $\pm 3^\circ$ .
- Maximum flash is  $+0.2$  mm.
- Chamfer ( $25^\circ \times 2$ ) on the taper side of the lead.

## • Module Structure (Dimension in millimeter)



#### 4. Absolute maximum ratings

Parameter	Symbol	Min.	Max	Unit	Notes
Storage Temperature Range	T <sub>STR</sub>	-40	85	°C	
Operating Temperature Range	T <sub>OPR</sub>	0	40	°C	
Lead solder Temperature	-	-	260	°C	For 10 seconds, 1.6mm below seating plane.
Supply Voltage	V <sub>DD</sub>	4.4	5.5	V	
ESD	-	-	2	KV	All pins, human body model
Input Voltage	-	-0.5	V <sub>DD</sub> +0.5	V	PD, TIO, TCLK
Angle of incidence	θ	30	45	degree	

#### 5. Electrical characteristics

##### 5-1. Recommended operating conditions

Parameter	Symbol	Min	Typ.	Max.	Unit	Notes	
Oscillator Resistor	R <sub>OSC</sub>	43	51	56	KΩ		
Speed	S	0	-	12	in/sec		
Acceleration	A	-	-	0.15	g		
Bin Resistor	Source Current Mode (RBIN tied to V <sub>DD</sub> )	R <sub>1</sub>	10	-	191	Ω	
	Source Current Mode (RBIN tied to R2 to GND)	R <sub>2</sub>	8.2	-	33	KΩ	
Distance from Lens Reference Plane to Surface	A	2.1	2.2	2.3	mm		
LED Light onto IC	IRR <sub>INC</sub>	λ = 639nm	80	-	25,000	mW/m <sup>2</sup>	
		λ = 875nm	100	-	30,000		
Unintended External Light onto IC	IRR <sub>EXT</sub>	-	-	10	mW/m <sup>2</sup>		

##### 5-2. DC electrical characteristics

Parameter	Symbol	Min	Typ.	Max.	Unit	Notes
Clock Frequency	F <sub>CLK</sub>	13	16	19	MHz	
Frame Rate	f <sub>frame</sub>	1400	1700	2000	frames/sec	
REFA Voltage	V <sub>REFA</sub>	3.25	3.5	3.75	V	
REFB Voltage	V <sub>REFB</sub>	-	0	-	V	
ROSCA Voltage	V <sub>ROSCA</sub>	0.4*V <sub>DD</sub>	0.5*V <sub>DD</sub>	0.6*V <sub>DD</sub>	V	
ROSCB Voltage	V <sub>ROSCB</sub>	-	V <sub>DD</sub>	-	V	

# OM01 Optical Sensor

DC Supply Current	Mouse Active	$I_{DDAVG}$	-	-	13	mA	No load on X <sub>1</sub> , X <sub>2</sub> , Y <sub>1</sub> , Y <sub>2</sub> . Excluding LED current.
	Standby	$I_{DDSB}$	-	-	10	mA	
	Power Down	$I_{DDPD}$	-	-	3.0	mA	
TCLK, TIO, PD	Input Low Voltage	$V_{IL}$	-	-	0.8	V	
	Input High Voltage	$V_{IH}$	3	-	-	V	
	Output Low Voltage	$V_{OL}$	-	-	0.4	V	$I_{OL} = 0.5mA$
	Output High Voltage	$V_{OH}$	3.5	-	-	V	$I_{OH} = 0.5mA$
X <sub>1</sub> , X <sub>2</sub> , Y <sub>1</sub> , Y <sub>2</sub>	Output Low Voltage	$V_{OL}$	-	-	0.4	V	$I_{OL} = 0.5mA$
	Output High Voltage	$V_{OH}$	3.5	-	-	V	$I_{OH} = 0.5mA$
LED Duty Cycle	Mouse Active		-	-	60%		
	Standby		-	-	5%		
	Power Down		-	-	0.20%		
XY_LED Output Current	Low Output Current	$I_{LEDL}$	-1	0	1	$\mu A$	
	High Source Current (RBIN tied to V <sub>DD</sub> )	$I_{LEDHSRC}$	1.5	3.1	6	mA	$V_{OH} = 0.6 V$
	High Sink Current (RBIN tied to R <sub>2</sub> to GND)	$I_{LEDHSINK}$	Typ. + 35%	-510/R <sub>2</sub>	Typ. - 35%	mA	$V_{OH} = V_{DD} - 2 V$
	High Sink Current (RBIN short to GND)	$I_{LEDHSINK}$	-1	0	1	$\mu A$	$R_2 < 5K\Omega$

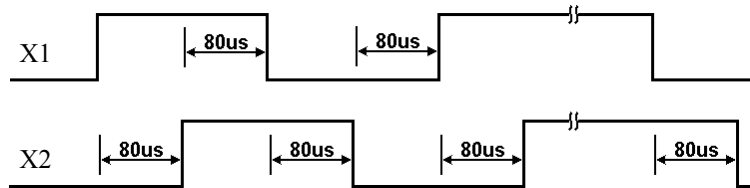
### 5-3. AC electrical characteristics

Parameter	Symbol	Min	Typ.	Max.	Unit	Notes	
Power Down Pulse Width	$t_{PDW}$	720	-	-	$\mu s$	Pulse width to initiate the power down mode.	
Power Down from PD $\uparrow$	$t_{PD}$	-	600	-	$\mu s$		
Power Up from PD $\downarrow$	$t_{PUPD}$	-	-	300	ms	When the mouse is fully active again.	
Power Up from V <sub>DD</sub> $\uparrow$	$t_{PU}$	-	-	200	ms		
Transient Supply Current	$I_{DDT}$	-	20	37	mA		
TIO	Rise Time	$t_r$	-	5	-	ns	$C_L = 30 pF$
	Fall Time	$t_f$	-	5	-	ns	$C_L = 30 pF$
X <sub>1</sub> , X <sub>2</sub> , Y <sub>1</sub> , Y <sub>2</sub>	Rise Time	$t_r$	-	100	-	ns	$C_L = 30 pF$
	Fall Time	$t_f$	-	100	-	ns	$C_L = 30 pF$
XY_LED	Rise Time	$t_r$	-	100	-	ns	With LED
	Fall Time	$t_f$	-	100	-	ns	With LED

## 5-4. Timing diagrams

### 5-4-1. Quadrature Output Waveform

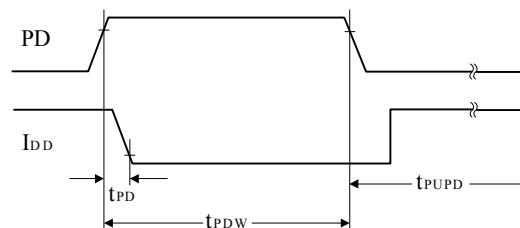
The 2 channel quadrature outputs are 5V signals. The  $\Delta X$  and  $\Delta Y$  counts are used to generate the X1, X2 and Y1, Y2 quadrature signals. The quadrature signals can change at a maximum rate of 12.5 KHz.



Example: Quadrature Output Waveform (+X motion)

### 5-4-2. PD Pin Timing

- Pulse width to initiate the power down mode,  $t_{PDW}$  (Power Down Pulse Width) minimum time is 720 $\mu$ s.
- When the mouse is fully active again,  $t_{PUPD}$  (Power Up from PD) maximum time is 300ms.



PD Timing Normal Mode

# OM01 Optical Sensor

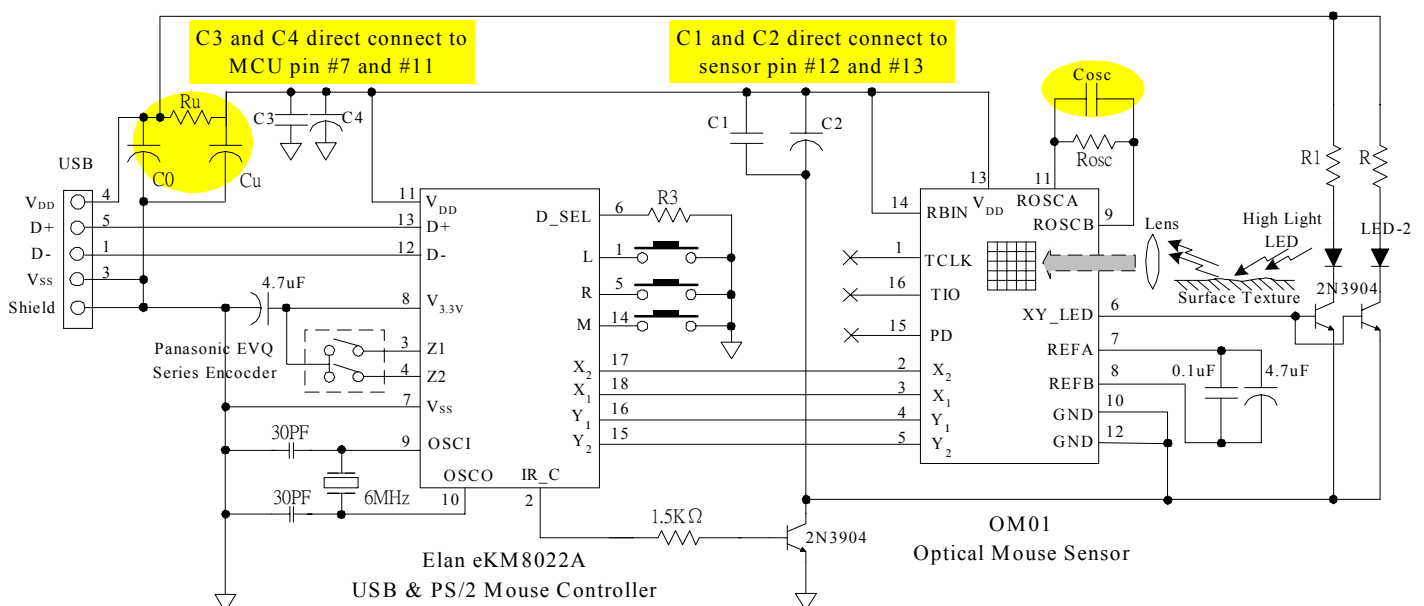
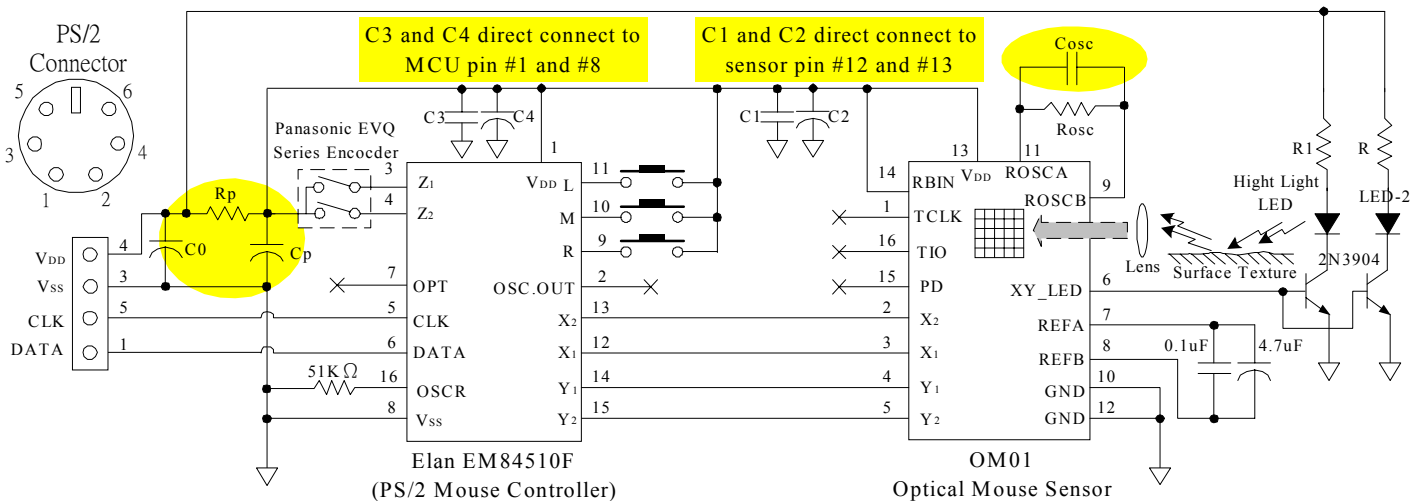
## 6. Application circuit

### 6-1. Application type 1 (Compatible with Agilent® HDNS-2000)

(where Rosc is 43KΩ ; R3 open for 400dpi, short for virtual 800dpi; LED-2 is for shining only)

LED BIN	K/L/M/N	P	Q	R	S	T	U
R1 Value (Ω)	10 ~ 69.8	10 ~ 78.7	10 ~ 93.1	10 ~ 113	10 ~ 137	10 ~ 169	10 ~ 191

EFT Level	Rp	Ru	Cosc	C1 & C3	C2	C0 & C4	Cp	Cu
3.0KV Class A	10Ω	10Ω	1nF	0.1uF	100uF	10uF	10uF	22uF
1.2KV Class B	Short					Open		
Don't Care (1.2KV Class C)		Short	Open	Open	Open			



# OM01 Optical Sensor

## 6-2. Application type 2 (Compatible with Agilent® ADNS-2051)

(where  $R_{osc}$  is  $43K\Omega$  ;  $R_3$  open for 400dpi, short for virtual 800dpi; LED-2 is for shining only)

LED BIN	K/L/M/N/P	Q	R	S	T	U
R2 Value ( $K\Omega$ )	8.2 ~ 12	8.2 ~ 15	8.2 ~ 18	8.2 ~ 22	8.2 ~ 27	8.2 ~ 33

EFT Level	$R_p$	$R_u$	$C_{osc}$	C1 & C3	C2	C0 & C4	$C_p$	$C_u$
3.0KV Class A	$10\Omega$	$10\Omega$	1nF	0.1uF	100uF	10uF	10uF	22uF
1.2KV Class B	Short	Short	Open	Open		Open		
Don't Care (1.2KV Class C)					Short		Open	Open

